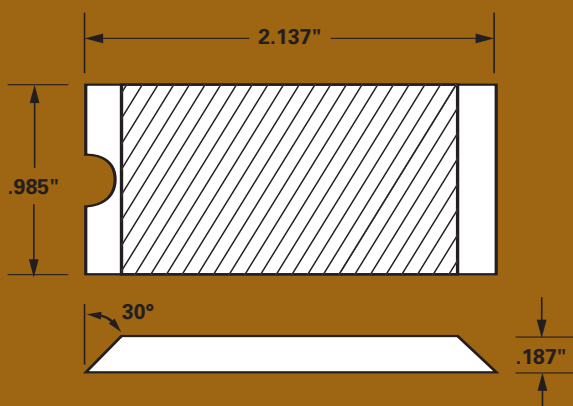
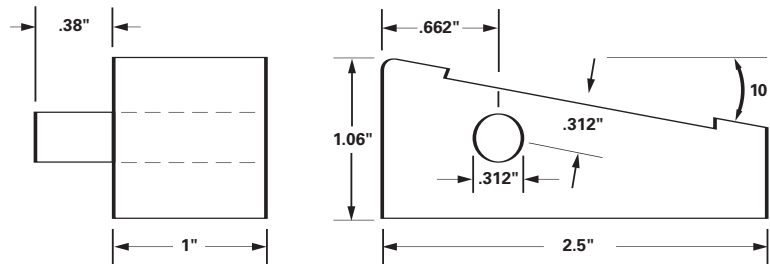


## Instron-style Templin Grip Holders

Templin Type Block and Inserts (GriffT7S)

### Wedge Block

Part No.	Description
227294-00	Templin Holder



### Inserts

Part No.	TPI	Pattern
118516-01	16	Diagonal
118516-02	16	Single Cut