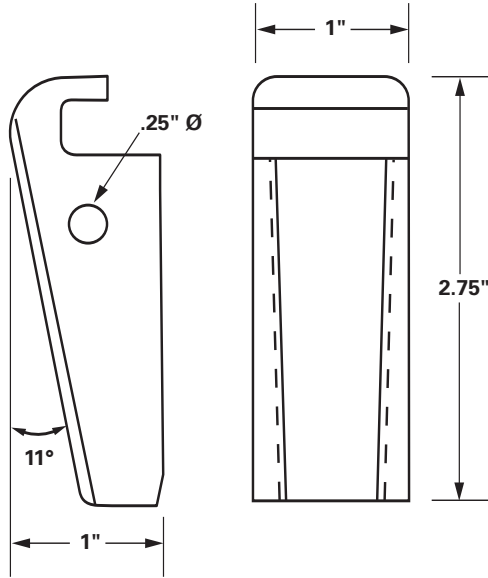


**Instron-style**

Wedge Blocks and Tapered Inserts for Ø 0-.500"



**Wedge Block**

Part No.	Description
206396-00	Holder

**Inserts**

Part No.	TPI	Pattern
107446-02	40	Diamond
107446-03	25	Diamond
107446-04	20	Diamond
107446-05	16	Diamond

