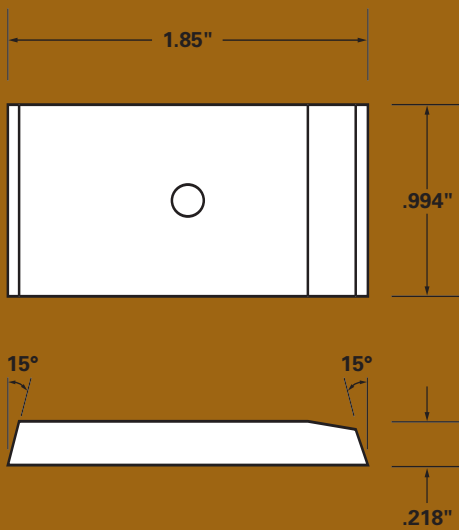
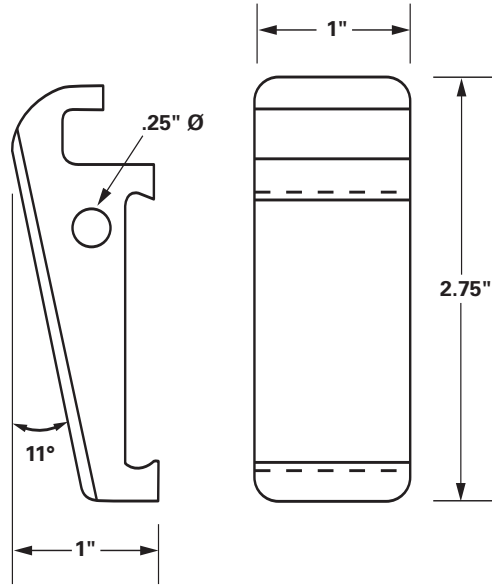


## Instron-style

Wedge Blocks and Inserts for  $\varnothing$  0-.500"

### Wedge Block

Part No.	Description
338110-00	Holder
338335-01	Holder—Left
338335-02	Holder—Right
885903-00	Holder Set



### Inserts

Part No.	TPI	Pattern
118364-02	40	Diamond
118364-03	25	Diamond
118364-04	20	Diamond
118364-05	16	Diamond