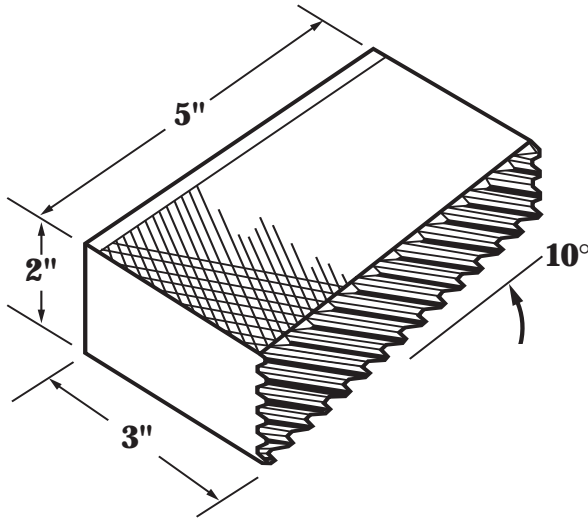


Baldwin/Satec-style

120,000# Capacity Flat Wedge Grip

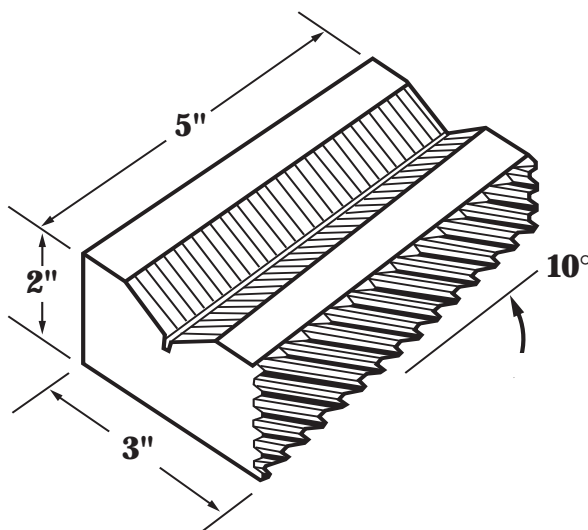


Flat Wedge Grip

Part No.	Description	TPI
447521-02	Flat Jaw Set	10
447521-03	Flat Jaw Set	16

Baldwin/Satec-style

120,000# Capacity Vee Wedge Grip



Vee Wedge Grip

Part No.	Description	TPI
447521-04	Vee Jaw Set	16