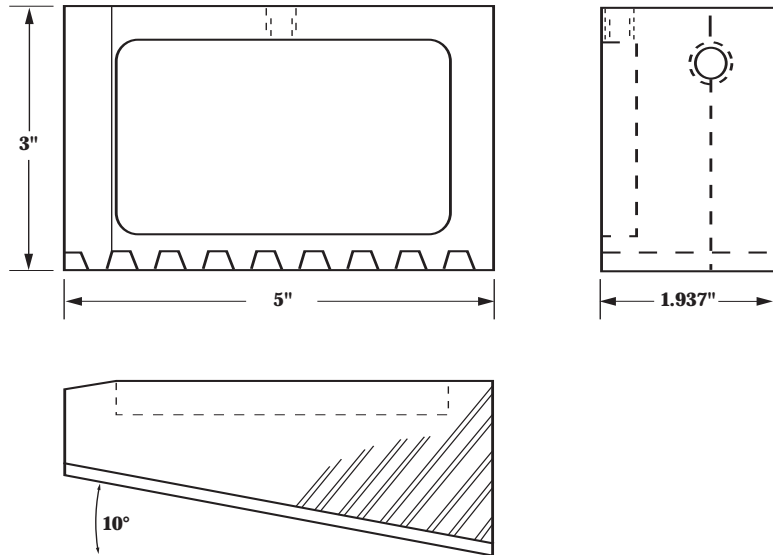


Baldwin/Satec-style

120,000# Capacity Wedge Block and Inserts

Wedge Block

Part No.	Description
447938-00	4 pc. Holder Set
447937-00	8 pc. Holder & Insert Set



Inserts

Part No.	TPI	Pattern
228045-00	20	Diamond
228045-01	20	Diagonal

