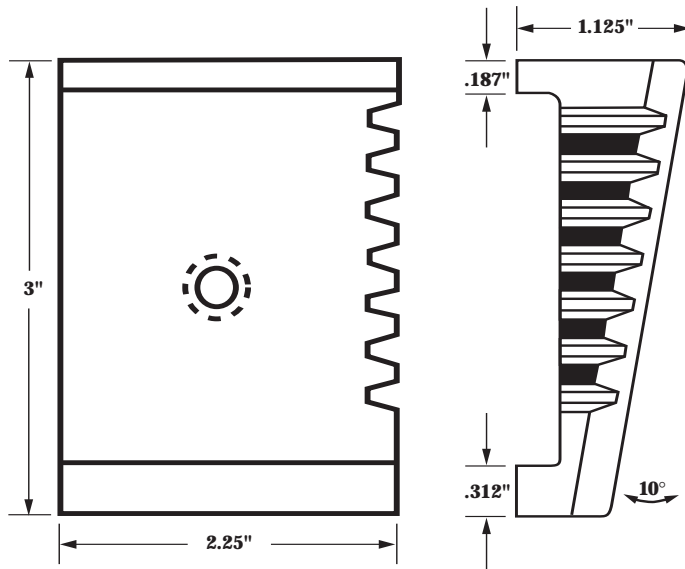


Baldwin/Satec-style

120,000# Capacity Wedge Block and Inserts



Wedge Block

Part No.	Description
338058-02	Upper Right/Lower Left
338058-01	Upper Left/Lower Right

Inserts

Part No.	TPI	Pattern
227137-01	10	Single Cut
227137-02	16	Single Cut
227137-03	20	Single Cut
227137-04	25	Single Cut
227137-05	40	Single Cut

