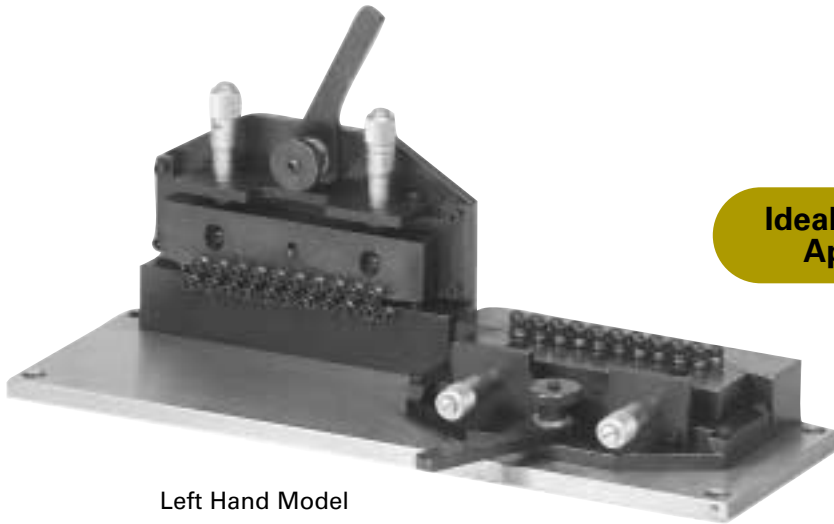


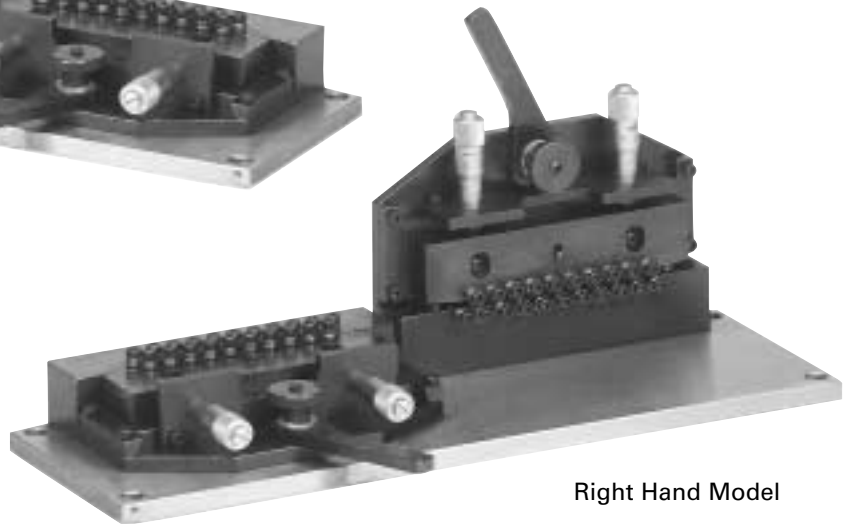
Ø .0015"-.010" (0,038mm-0,25mm)

IS Two-Plane Standard Roll Straighteners

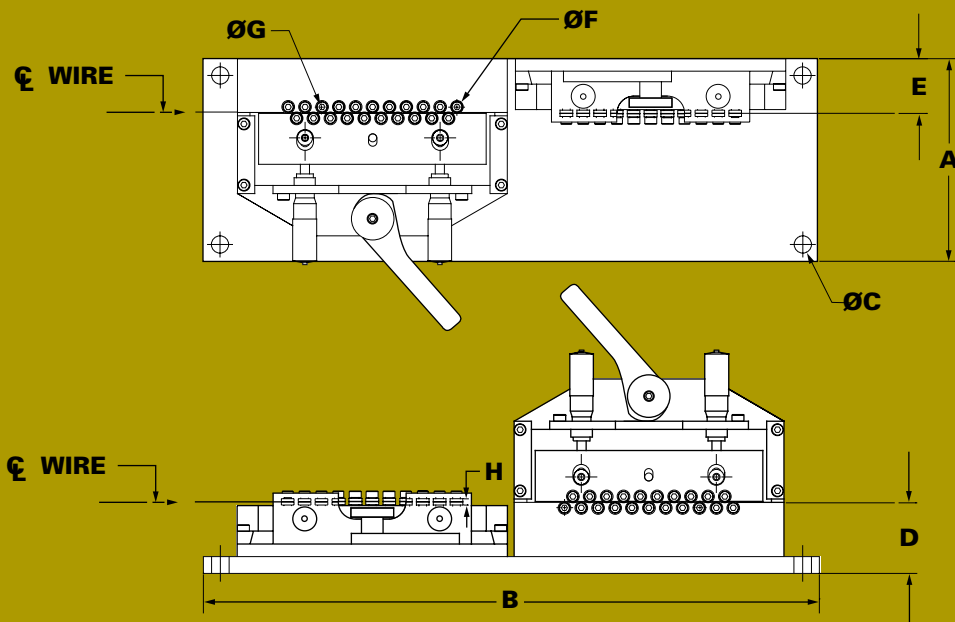


Left Hand Model


Ideal for Fine Wire Applications!



Right Hand Model



Ø .0015"-.010" (0,038mm-0,25mm)

	A	B	C	D	E	F	G	H	lbs.
21x21	3.00"	9.12"	.257"	1.06"	.81"	.1875"	.0937"	.0937"	TBD