

Ø 4,8mm–25,4mm (.187"–1.00")

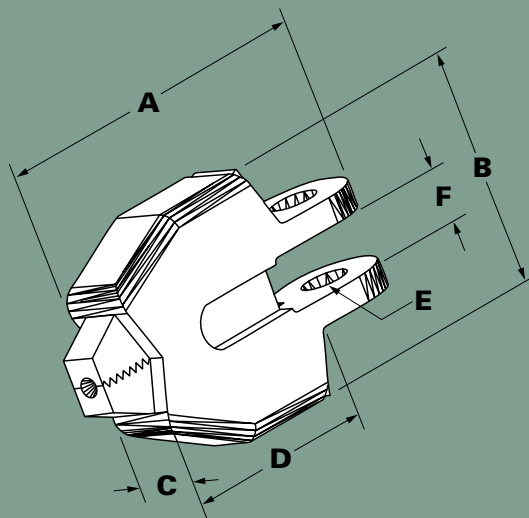
Vaughn-Style Wedge Grips

Vaughn Bauform Festklemmvorrichtungen

Pres a Cuneo Vaughn-style

Mâchoires à Tendre Type Vaughn

Pinzas en Cuñas Estilo Vaughn



Part No.	Model	Max. Pull	Ø	A	B	C	D	Ø E	F	kg
306094-02	117-140A	4545 kg 10,000 lbs.	4,8–12,7 (.187–.5")	95,3 (3.75")	69,9 (2.75")	25,4 (1")	60,3 (2.375")	14,3 (.562")	15,9 (.625")	0,7 (1.5 lbs.)
306095-02	117-142D	6818 kg 15,000 lbs.	9,5–19,1 (.375–.75")	138,1 (5.437")	108,0 (4.25")	44,5 (1.75")	96,8 (3.812")	15,9 (.625")	20,6 (.812")	2,7 (6 lbs.)
406712-02	117-96A	13636 kg 30,000 lbs.	15,9–25,4 (.625–1")	141,3 (5.562")	117,5 (4.625")	47,6 (1.875")	96,8 (3.812")	22,2 (.875")	28,6 (1.125")	3,4 (7.5 lbs.)

Vaughn-C

Ø 15,9–31,8mm (.625"–1.25")

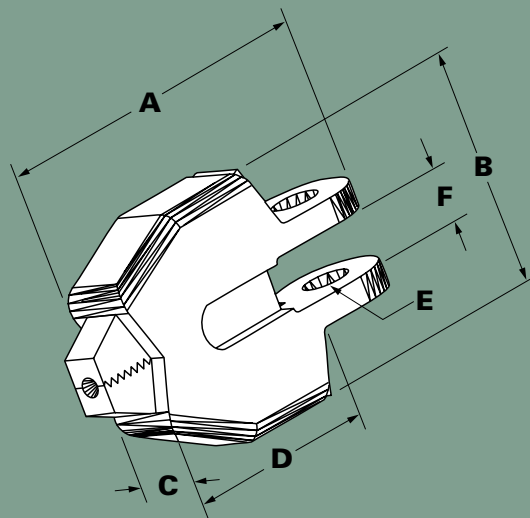
Vaughn-Style Wedge Grips

Vaughn Bauform Festklemmvorrichtungen

Pres a Cuneo Vaughn-style

Mâchoires à Tendre Type Vaughn

Pinzas en Cuñas Estilo Vaughn



Part No.	Model	Max. Pull	Ø	A	B	C	D	Ø E	F	kg
306096-02	117-186C	13636 kg 30,000 lbs.	15,9–25,4 (.625–1")	144,5 (5.687")	117,5 (4.625")	47,6 (1.875")	96,8 (3.812")	22,2 (.875")	28,6 (1.125")	3,4 (7.5 lbs.)
407373-02	117-208A	13636 kg 30,000 lbs.	22,2–28,6 (.875–1.125")	161,9 (6.375")	152,4 (6")	63,5 (2.5")	111,1 (4.375")	22,2 (.875")	33,3 (1.312")	6,8 (15 lbs.)
407374-02	117-192A	22727 kg 50,000 lbs.	25,4–31,8 (1–1.25")	198,4 (7.812")	165,1 (6.5")	76,2 (3")	114,3 (4.5")	38,1 (1.5")	38,1 (15")	10,9 (24 lbs.)