

Vaughn-B

Ø 1,6mm–6,4mm (.062"–.250")

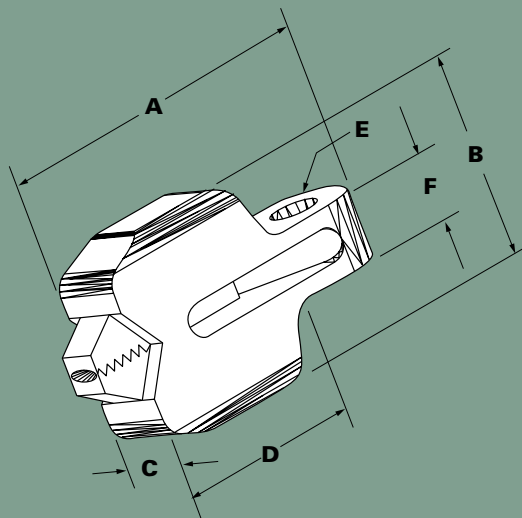
Vaughn-Style Wedge Grips

Vaughn Bauform Festklemmvorrichtungen

Pres a Cuneo Vaughn-style

Mâchoires à Tendre Type Vaughn

Pinzas en Cuñas Estilo Vaughn



| Part No. | Model | Max. Pull | Ø | A | B | C | D | Ø E | F | kg |
|-----------|----------|-----------------------|------------------------|--------------|------------------|----------------|------------------|-----------------|-----------------|-------------------|
| 306093-02 | 117-138A | 3636 kg 8,000 lbs. | 1,6–6,4 (.062–.25") | 76,2 (3") | 47,6 (1.875") | 19,1 (.75") | 46,0 (1.812") | 11,1 (.437") | 15,9 (.625") | 0,3 (.75 lbs.) |