

Ø 1,6mm–5,2mm (.062"–.203")

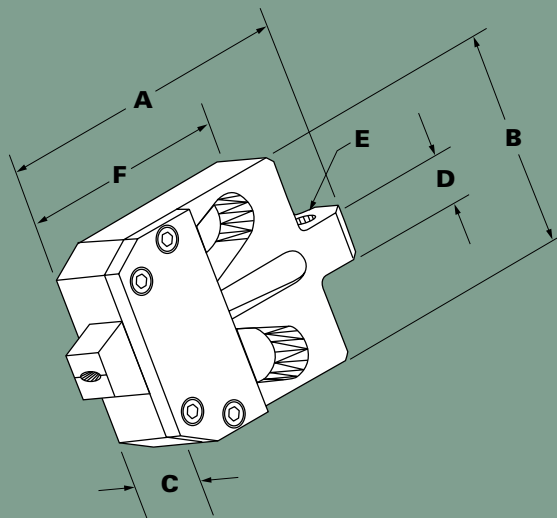
Sleeper & Hartley-Style Wedge Grips

Sleeper & Hartley Bauform Festklemmvorrichtungen

Pres a Cuneo Sleeper & Hartley

Mâchoires à Tendre Type Sleeper & Hartley

Pinzas en Cuñas Estilo Sleeper & Hartley



Part No.	Model	Max. Pull	Ø	A	B	C	D	Ø E	F	kg
300510-02	SH #1	909,1 kg 2,000 lbs.	1,6–4,0 (.062–.156")	63,5 (2.5")	44,5 (1.75")	20,6 (.812")	9,5 (.375")	5,6 (.218")	49,2 (1.937")	0,2 (.5 lbs.)
301393-02	SH #2	1363,6 kg 3,000 lbs.	3,2–5,2 (.125–.203")	69,9 (2.75")	50,8 (2")	23,8 (.937")	12,7 (.5")	5,6 (.218")	54,0 (2.125")	0,5 (1 lbs.)

Ø 2,4mm–12,7mm (.093"–.500")

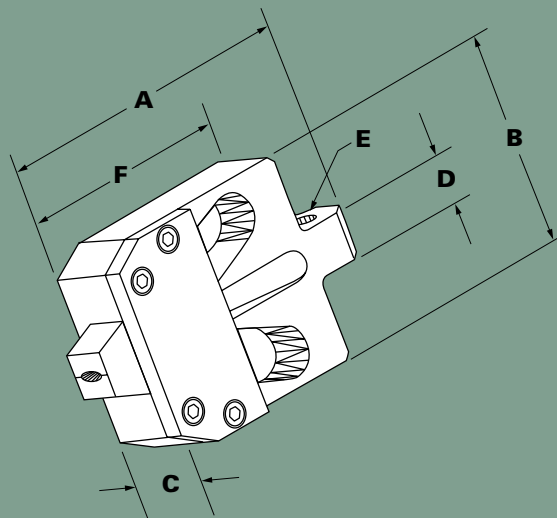
Sleeper & Hartley-Style Wedge Grips

Sleeper & Hartley Bauform Festklemmvorrichtungen

Pres a Cuneo Sleeper & Hartley

Mâchoires à Tendre Type Sleeper & Hartley

Pinzas en Cuñas Estilo Sleeper & Hartley



Part No.	Model	Max. Pull	Ø	A	B	C	D	Ø E	F	kg
301394-02	SH #3	3409,1 kg 7,500 lbs.	2,4–9,5 (.093–.375")	85,7 (3.375")	60,3 (2.375")	25,4 (1")	20,6 (.812")	7,9 (.312")	63,5 (2.5")	0,7 (1.5 lbs.)
304255-02	SH #4	4545,5 kg 10,000 lbs.	6,4–12,7 (.25–.5")	114,3 (4.5")	82,6 (3.25")	38,1 (1.5")	25,4 (1")	9,9 (.390")	82,6 (3.25")	1,5 (3.25 lbs.)