

Ø -2,0mm (-.078")

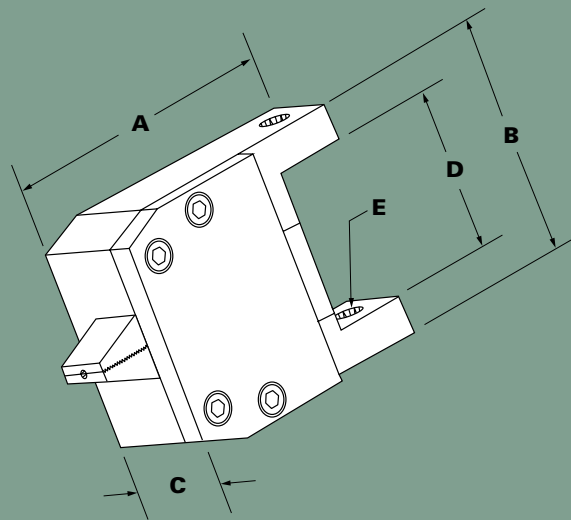
Sleeper & Hartley-Style Wedge Grips

Sleeper & Hartley Bauform Festklemmvorrichtungen

Pres a Cuneo Sleeper & Hartley

Mâchoires à Tendre Type Sleeper & Hartley

Pinzas en Cuñas Estilo Sleeper & Hartley



Part No.	Model	Max. Pull	Ø	A	B	C	D	Ø E	F	kg
300628-02	SH #0	681,8 kg 1,500 lbs.	-2,0 (-.078")	47,6 (1.875")	38,1 (1.5")	20,6 (.812")	25,4 (1")	4,8 (.187")	—	0,2 (.5 lbs.)