

# Morgan-B

## Ø 4,8–12,7mm (.187–.500")

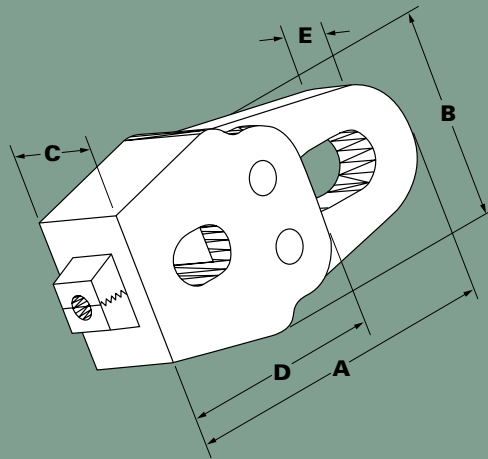
Morgan-Style Wedge Grips

Morgan Bauform Festklemmvorrichtungen

Prese a Cuneo Morgan-style

Mâchoires à Tendre Type Morgan

Pinzas en Cuñas Estilo Morgan



Part No.	Model	Max. Pull	Ø	A	B	C	D	E	kg
306039-02	B-30423	3636,4 kg 8,000 lbs.	4,8–9,5 (.187–.375")	142,9 (5.625")	82,6 (3.25")	44,5 (1.75")	85,7 (3.375")	22,2 (.875")	2,0 (4.5 lbs.)
306041-02	B-30425	3636,4 kg 8,000 lbs.	4,8–9,5 (.187–.375")	150,8 (5.937")	90,5 (3.562")	47,6 (1.875")	92,1 (3.625")	20,6 (.812")	2,5 (5.5 lbs.)
306046-02	B-74900	6818,2 kg 15,000 lbs.	7,9–12,7 (.312–.5")	168,3 (6.625")	111,1 (4.375")	54,0 (2.125")	111,1 (4.375")	27,0 (1.062")	4,1 (9 lbs.)

**Ø 11,1mm–25,4mm (.437–1.00")**

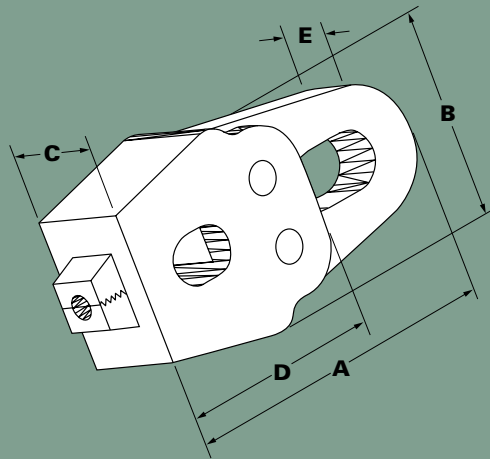
Morgan-Style Wedge Grips

Morgan Bauform Festklemmvorrichtungen

Prese a Cuneo Morgan-style

Mâchoires à Tendre Type Morgan

Pinzas en Cuñas Estilo Morgan



Part No.	Model	Max. Pull	Ø	A	B	C	D	E	kg
406029-01	B-74958	9090,9 kg 20,000 lbs.	11,1–15,9 (.437–.625")	177,8 (7")	133,4 (5.25")	60,3 (2.375")	120,7 (4.75")	25,4 (1")	5,7 (12.5 lbs.)
306057-02	B-74934	18181,8 kg 40,000 lbs.	14,3–25,4 (.562–1")	241,3 (9.5")	168,3 (6.625")	88,9 (3.5")	155,6 (6.125")	31,8 (1.25")	13,9 (30.5 lbs.)