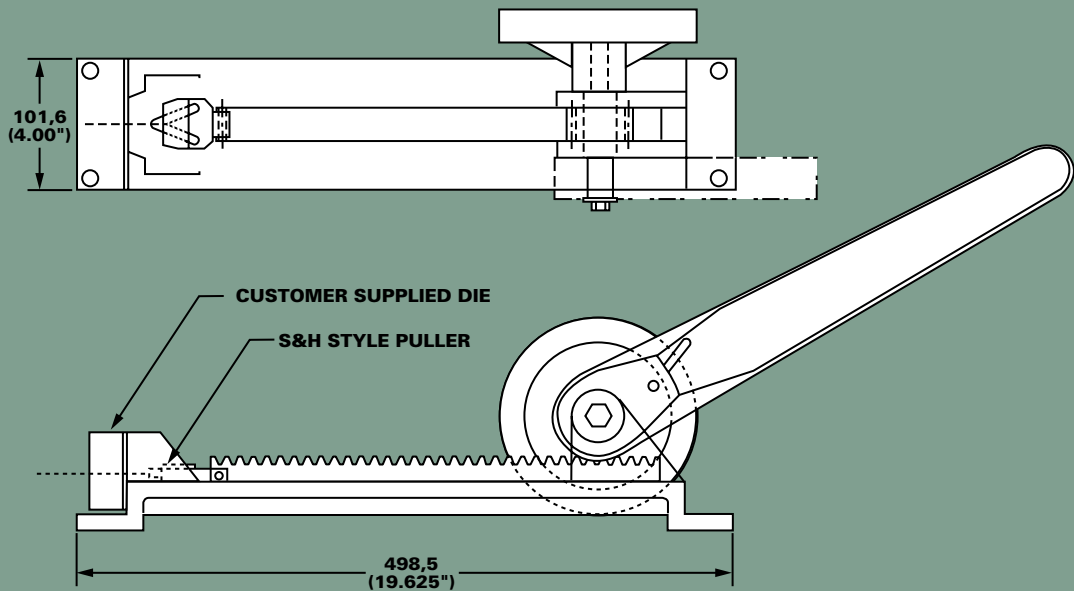


Assembly

Die Room Puller



Part No.	Model	Ø	kg
404236-01	S&H #0	-2,0 (-.078")	13,4 (29.5 lbs.)
404236-00	S&H #1	1,6-4,0 (.062-.156")	13,4 (29.5 lbs.)
404236-02	S&H #2	3,2-5,2 (.125-.203")	13,6 (30 lbs.)
404236-03	S&H #3	2,4-9,5 (.093-.375")	13,9 (30.5 lbs.)
404236-04	S&H #4	6,3-12,7 (.25-.50")	14,4 (31.75 lbs.)

Note: Maximum pull for all sizes is 680,4 kg (1,500 lbs.).