

SMC-25M

Max. Torque @ Max. Slip RPM 0,34 N-m (3 IN.-LB.)

Eddy Current Tensioning Clutch

Wirbelstrom-Zugkupplungen

Frizioni a Tensione a Corrente Parassita

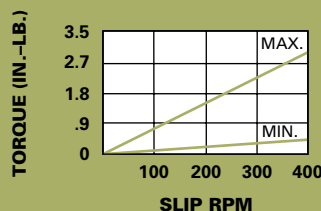
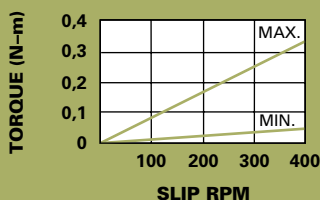
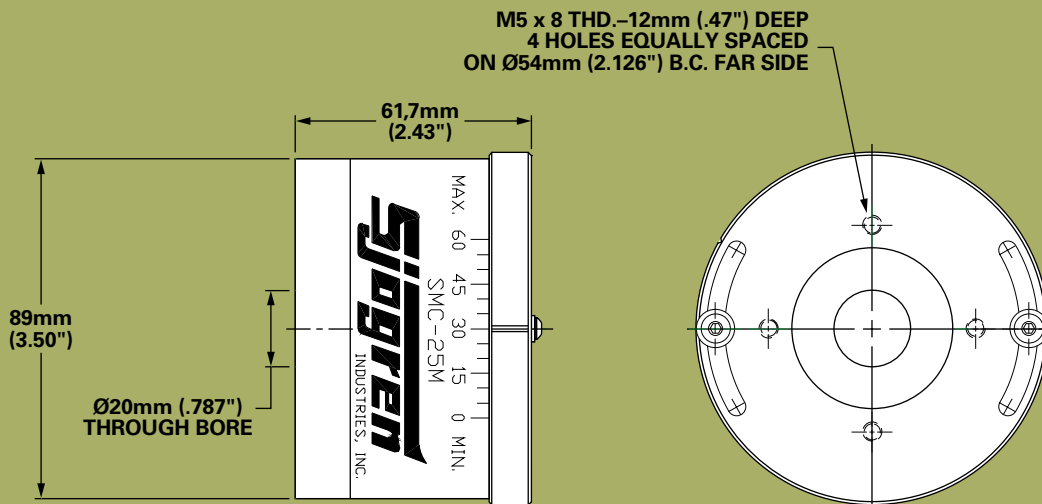
Embrayages de Tension Fonctionnant avec le Courant de Foucault

Embrauges Tensor por Corrientes Parásitas

Max. Torque @ Max. Slip RPM	0,34 N-m (3 IN.-LB.)
-----------------------------	----------------------

Wärmeabfuhr Dissipazione massima del calore Dissipation maximale de chaleur Disipación de calor máxima Heat Dissipation	25 Watt
-------------------------------------------------------------------------------------------------------------------------------------	---------

Max. Slip Speed	400 RPM
-----------------	---------



Note: Mounting of clutch requires a through shaft with end-clamping capability to secure internal clutch components.