

**Max. Torque @ Max. Slip RPM 6,1 N-m (125 IN.-LB.)**

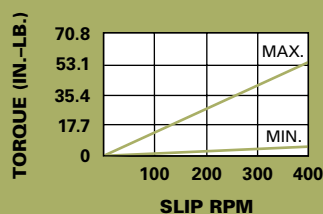
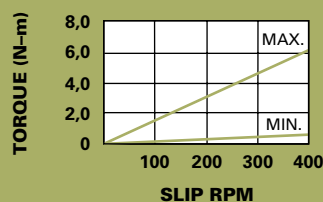
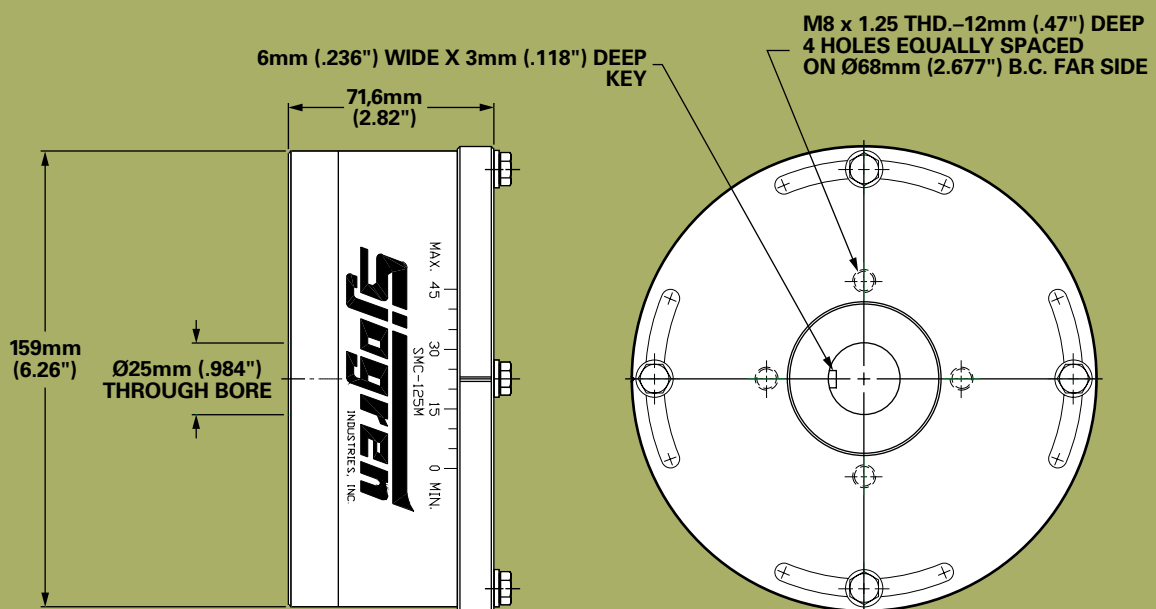
Eddy Current Tensioning Clutch  
Wirbelstrom-Zugkupplungen  
Frizioni a Tensione a Corrente Parassita  
Embrayages de Tension Fonctionnant avec le Courant de Foucault  
Embrauges Tensor por Corrientes Parásitas

Max. Torque @ Max. Slip RPM 6,1 N-m (54 IN.-LB.)

Wärmeabfuhr  
Dissipazione massima del calore  
Dissipation maximale de chaleur  
Disipación de calor máxima  
Heat Dissipation

125 Watt

Max. Slip Speed 400 RPM



Note: Mounting of clutch requires a through shaft with end-clamping capability to secure internal clutch components.