

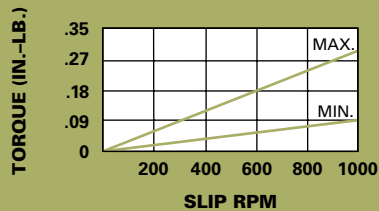
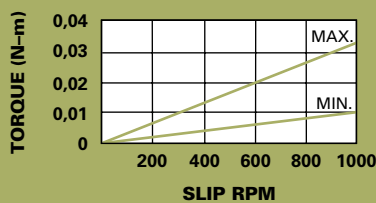
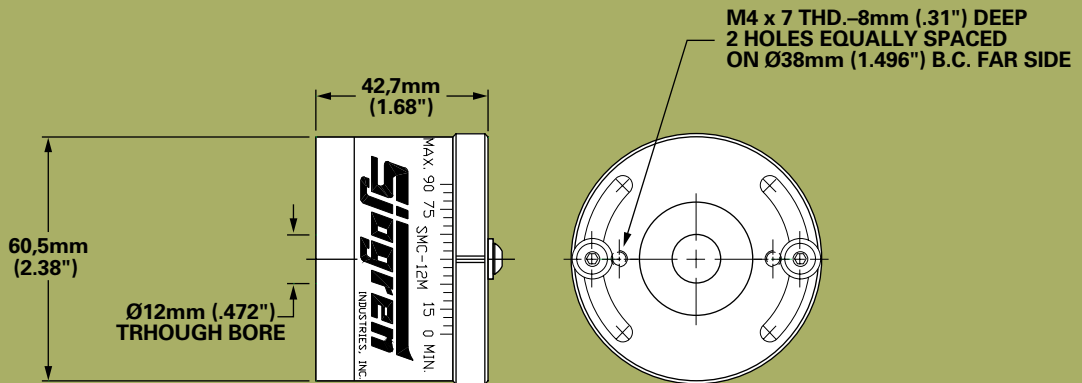
**Max. Torque @ Max. Slip RPM 0,032 N-m (.28 IN.-LB.)**

Eddy Current Tensioning Clutch  
Wirbelstrom-Zugkupplungen  
Frizioni a Tensione a Corrente Parassita  
Embrayages de Tension Fonctionnant avec le Courant de Foucault  
Embrauges Tensor por Corrientes Parásitas

Max. Torque @ Max. Slip RPM 0,032 N-m (.28 IN.-LB.)

Wärmeabfuhr  
Dissipazione massima del calore  
Dissipation maximale de chaleur  
Disipación de calor máxima  
Heat Dissipation 12 Watt

Max. Slip Speed 1000 RPM



Note: Mounting of clutch requires a through shaft with end-clamping capability to secure internal clutch components.